

Appendix D : Compatible Hardware

1) The following EasyLog modules are compatible with EL-WIN V4.00

EL-LITE	Single channel, temperature-only data logger, cased
EL-1	Single channel, 8-bit, multi-parameter data logger, panel mounted
EL-2	Single channel, 8-bit, multi-parameter data logger, cased
EL-2-IR	Single channel, 8-bit, multi-parameter data logger, InfraRed interface, cased
EL-1-12BIT	Single channel, 12-bit, multi-parameter data logger, panel mounted
EL-2-12BIT	Single channel, 12-bit, multi-parameter data logger, cased
EL-3-12BIT	Dual channel, 12-bit, multi-parameter data logger, panel mounted
EL-IP67-12	Single channel, 12-bit, multi-parameter data logger, IP67 / NEMA 4X rated

2) The following sensor probes are compatible with EasyLog modules

<i>Part Number</i>	<i>Compatibility</i>
K-TYPE PROBE	EL-1
K-TYPE PROBE-P	EL-2, EL-2-IR
PT-TYPE PROBE	EL-1-12BIT, EL-3-12BIT
PT-TYP PROBE-D	EL-2-12BIT
RH PROBE	EL-1-12BIT, EL-3-12BIT
RH PROBE-D	EL-2-12BIT
PH PROBE	EL-1
PH PROBE-P	EL-2, EL-2-IR
BUFFER-04PH	EL-1, EL-2
BUFFER-10PH	EL-1, EL-2

3) The following hardware is compatible with EasyLog modules

EL-HL and EL-HL-2	Handheld configuration and data retrieval tool EL-LITE, EL-1, EL-2, EL-2-IR, EL-1-12BIT, EL-2-12BIT, EL-IP67-12
EL-LINK-IR	InfraRed to RS232 converter module, PC COM port compatible EL-2-IR, EL-IP67-12 EL-1 and EL-1-12BIT via PANEL-IR
PANEL-IR	InfraRed to RS232 converter module, panel mounted EL-1, EL-1-12BIT

Contact Lascar Electronics or an appointed agent or visit <http://www.lascarelectronics.com> for further details on the latest EasyLog hardware, software and accessories.

EL-WIN

Version 4.02

SOFTWARE MANUAL



Contents

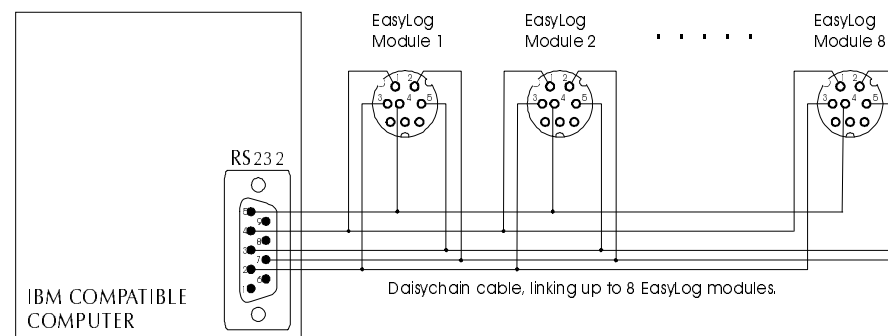
I) EL-WIN Software Installation	6
II) Configuring the EasyLog Module	
1) Choosing and connecting an appropriate sensor	7
2) Connecting the EasyLog module to a computer : Communications	7
a) Hardware Link	7
b) Software Link : COM port, Baud rate, Address	7
c) Options: Smart search, Address Limit	9
3) Configuring the EasyLog module	10
a) Module name	10
b) Select channel	10
c) Sensor type	11
d) Display symbols : Units, Scaler	11
e) Sample rate	11
f) Storage modes : Normal, Rolling, Histogram, One-shot	12
g) Set alarms	13
h) Calibrating the EasyLog module	13
Default calibration	14
User calibration	14
i) Comms: Address, Baud rate	14
j) Clear/stop log	15
k) Reset	15
l) Multi-mimic	15
III) Start logging	
1) Immediate start	16
2) Push to start	16
3) Show active	16
4) Delayed start	16
5) Time and date	17

Appendix C : The Daisychain Cable

Multiple EasyLog modules may be connected together to operate as a multi-channel data logging network. It is possible to mix single and dual channel modules on a network. All modules must be set up with identical Baud rates (typically 9600) and each module must be configured with its own unique address, set between 0 and 7 (factory default address is 0). No two modules must share the same address. Jumper link Lk1 must be removed from all but one module.

Switch *Smartsearch* on to increase the likelihood that all data loggers are detected by EL-WIN during a *Search*, especially when one or more modules are logging.

Ready-made cables are available from Lascar Electronics and its appointed agents, quoting part number *EasyLink*. To make your own, proceed as follows.



EasyLogs are supplied with their address set to 0. When adding loggers to a system, give each one a different address in the software and write this in the space provided on the module's PCB. Lk1 should then be removed from all but 1 logger.

Appendix B : File Header Description (Dual Channel Modules only)

Documented below is a typical File Header (plus brief explanatory comments) for a Normal EL-WIN datalogger file. For compressed data files, the file header is similar, but the data format is different. Lascar recommends that compressed files are expanded within EL-WIN and re-saved in uncompressed (Tab, Space or Comma Delimited) format, before attempting to manipulate them.

EASYDATA		Generic File Name
6		(Data) File Type
EasyLog		EasyLog Module's Logger Name *
10		Number of Samples in this Data File : \$\$
0076832041		EasyLog Module's Serial No
Channel A	Channel B	Channel Headers
Name A	Name B	Channel Names
1	1	Units Annunciator (0=none, 1=°C, 2=V, 3=Hz, 4=°F, 5=A, 6=%RH, 7=pH, 8=Ohm)
2	2	Scaler Annunciator (0=μ, 1=m, 2=none, 3=k, 4=M)
0	0	Sensor Type (16=Temp -200 to 200°C, 17=Temp -200 to 800°C, 18=Temp -200 to 200°F, 19=Temp -328 to 1562°F, 20=Voltage -200 to 200mV, 21=Voltage -2 to 2V, 22=Voltage -20 to 20V, 23=4-20mA Indication, 24=Disabled)
0		Sample Rate (0=5s, 1=10s, 2=20s, 3=1m, 4=5m, 5=10m, 6=20m, 7=1Hr, 8=4Hr, 9= 12Hr)
0		Storage mode (0=Normal, 2=Rolling, 3=One-Shot)
20.00	30.00	High Alarm Level
-10.00	-15	Low Alarm Level
0		Alarm Mode (0=Off, 1=On)
0		Sample No of 1st Low Battery Warning ***
0		Sample No of 1st Power Fail Warning ***
145042030896		Start Time and Date ****
20.000	24.000	First Reading Value --
20.000	20.000	Next Reading Value
24.000	20.000	.
23.000	19.000	.
24.000	18.000	.
23.000	20.000	.
24.000	21.000	.
23.000	25.000	.
24.000	21.000	.
23.000	19.000	.
		\$\$ Total No of samples =10
23.000	19.000	Last Reading Value --

* The Logger Name supports upper and lower case characters. As the first 8 characters are later used as a DOS file name, it is recommended that, where possible, these 8 characters form a unique name. This will minimise the risk of accidentally overwriting an existing file.

*** If not zero (0=No Error), then this is the Sample Number of the first sample where the specified error occurred, if no roll-over has occurred when logging in rolling mode. Data from this Sample Number onwards should be treated as suspect.

**** EasyLog stores the date in the UK convention (ddmmyy) with one important exception. The value shown for the month is referenced from zero, i.e.: Jan=00 . . . Dec=11. If you are manipulating an EasyLog Data File directly, then True Month = EasyLog Month +1.

If one channel was disabled during a logging exercise, then the file will contain only one column of data, together with that channel's header and name.

IV) Stop logging 17

V) Downloading data from EasyLog module to computer 17

VI) Graphing 18

1) Graphing with EL-WIN 18

- a) Viewing graphs 18
- b) Overlaying multiple graphs 19

2) Customising graphs 20

- a) Fonts 20
- b) Adding detail to the graph 20
 - Append info 20
 - Mark points 20
 - Alarm levels 20
 - Show warnings 21
 - Zooming in & out 21
 - Graph axes 21
- c) Filtering data 22
- d) Histograms 22

VII) Exporting data 23

1) EasyLog datafile formats 23

2) Exporting data 23

Appendix A : File Header Description (Single Channel Modules Only) 25

Appendix B : File Header Description (Dual Channel Modules Only) 26

Appendix C : The Daisychain Cable 27

Appendix D : Compatible Hardware 28

One-shot mode

Data accumulated in *One-shot mode* cannot be exported to another application using EL-WIN. Instead, proceed as follows.

- Download the data from the EasyLog module to computer using EL-WIN by clicking on *Save data*.
- Open the file containing the saved data in a spreadsheet.
- Analyse the data, using the data in Appendix A or Appendix B.
- The file now contains the logged data in tabular format, ready for use in your target application. The three columns in the table show Date, Time and Reading value.

Preface :

The EL-WIN software package has been developed by Lascar Electronics to configure EasyLog[®] datalogging display modules and to produce on-screen graphical representations of logged data.

EL-WIN is designed to be installed on, and run from, IBM compatible Personal Computers running Windows 3.1, 95 and 98. Although EL-WIN has been known to work successfully under other operating systems, this operation is not implied, guaranteed or supported by Lascar Electronics.

The EL-WIN software package and this software manual were designed to configure and support many members of the EasyLog module family, e.g.: EL-LITE, EL-1, EL-2, EL-2-IR, EL-1-12BIT, EL-2-12BIT, EL-3-12BIT and EL-IP67-12. This means that the availability of certain EL-WIN features is dictated not by the software, but by the type of EasyLog module being used.

This software manual was designed in two parts. The centre card is the Easy Guide and is intended for first time users. This card can be removed from the manual and used on its own. The manual itself is intended as a point of reference where you can find detailed information about EL-WIN's many features. The Easy Guide and this software manual should be read in conjunction with the EasyLog module's datasheet.

We hope that most questions are answered by this manual and the EasyLog module's datasheet. Lascar Electronics will be pleased to offer customers and potential EasyLog users technical assistance where required.

New data logging products are constantly being developed and datasheets are available free-of-charge from Lascar Electronics and its appointed agents or on the internet via <http://www.lascarelectronics.com> .

For further information about other standard EasyLog products, such as EasyLog control software for the PSION *workabout*, or the EL-HL handheld configuration tool, contact Lascar Electronics or one of its appointed agents.

I) EL-WIN Software Installation

The following procedure details the installation of the EL-WIN control software onto your computer's hard disk.

- a) Start Windows and insert the EL-WIN floppy disk into drive A or B.
- b) Choose the *Run* command from the *File* menu in *File Manager*.
- c) Type *a:setup* (or *b:setup* if your disk is in drive B) in the *Run* dialogue box and click *OK*.
- d) The installation program automatically creates an *easylog* directory on your computer's hard drive, drive C, and all EL-WIN files are copied to that directory.
- e) The installation program automatically creates a new *EasyLog* program group. Within this program group an *EasyLog* program icon is created.
- f) Double-click on the *EasyLog* program icon to start the program.

EL-WIN displays the *Connecting EasyLog* dialogue box and is now ready for use. If this is your first encounter with EL-WIN, then follow the instructions on the tear-out Easy Guide card in the centre of this manual.

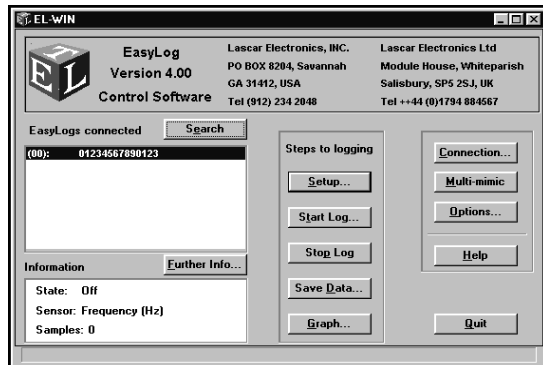


Figure 1: The Startup screen

VII) Exporting data

Data, stored inside an EasyLog module, can be downloaded via EL-WIN and exported to other software applications for further processing. This may be necessary when EL-WIN's graphing features, though extensive, are not sufficient for the intended purpose.

1) EasyLog datafile formats

To convert data into a format that is acceptable by another application, there are different procedures to follow, depending on the storage mode initially chosen for the data (*Normal mode*, *Rolling mode*, *Histogram mode*, *One-shot mode*). Choose one of three different formats (tab, space and comma delimited).

2) Exporting data

Normal and Rolling mode

Data accumulated in *Normal mode* and *Rolling mode* can be exported into a format that is acceptable by most third party applications by using EL-WIN as the translating medium.

- Download the data from the EasyLog module to the computer using EL-WIN by clicking on *Save data*.
- Enter the graphing module by clicking on *Graph data*. Select the file that you want to export and click on *OK*. The data in that file will be graphed.
- Select *Options*, *Export data*.
- Select the desired file formats from *Tab delimited*, *Space delimited* and *Comma delimited*.
- Enter a new filename for the exported data. To ensure integrity of the original datafile, do not use the same filename as that of the original datafile.
- The new file now contains the logged data in tabular format, ready for use in your target application. The columns in the table show Reading number, Date, Time and one or more (multi-channel data logger) columns of Reading values.

Histogram mode

Data accumulated in *Histogram mode* cannot be exported to another application using EL-WIN. Instead, proceed as follows.

- Download the data from the EasyLog module to computer using EL-WIN by clicking on *Save data*.
- Open the file containing the saved data in a spreadsheet.
- Analyse the data, using the data in Appendix A.

X axis (not available in Histogram mode)

Elapsed time : When ticked, the X axis displays accumulative time and date, starting from zero time and zero date.

Clock Time : When ticked, the X axis displays the time and date at which the readings were taken.

c) Filtering data

In certain applications, the actual value of a reading at a given time and date is less important than the underlying trend that is hidden in the graph. To bring out this underlying trend and, in the process, reduce the amount of ‘noise’ on a graph, click *Options, Show the mean of* and select 3, 5 or 10. A new graph is displayed, showing far fewer fluctuations. To revert back to a normal graph, de-select the current selection.

To differentiate between true readings and filtered readings (*Options, Show the mean of*) on a graph, whether on screen or on a print-out, the text “Filtered data” is added below the graph title.

d) Histograms

Data accumulated in *Histogram mode* is not related to time or date. In a histogram, it is the frequency of occurrence of a particular reading that is of importance.

A histogram is a graphical representation of grouped data. The X axis is divided into segments with lengths proportional to each sample group interval. On these segments, rectangles are drawn with areas proportional to the numbers in the sample group intervals. As all sample group intervals are of equal size, the heights of the rectangles (Y-axis) are proportional to the number of occurrences.

By clicking *Options, Histogram style*, the following settings become available.

Y axis

Count total : Displays the total amount of occurrences in a class.
Accumulated hours : Displays the total time of the occurrences in a class.
% of total time : Displays the total amount of occurrences in a class as a percentage of the total amount of occurrences of all readings.

Sample group interval : Choose the width of class interval (sample group interval). (similar effect to *Options, Show the mean of in Normal mode* and *Rolling mode*.)

II) Configuring the EasyLog Module

1) Choosing and connecting an appropriate sensor

Choose an appropriate sensor (dual channel EL-3-12BIT requires up to 2 sensors) for your measurement application. If you are in doubt about the required technical specifications for your sensor then consult the datasheet that was supplied with your EasyLog module. If doubt persists, then contact Lascar Electronics for further technical assistance.

Insert the 3.6V Lithium battery into the EasyLog module or connect an external power supply. At this stage, do NOT connect a voltage across the EasyLog module’s inputs, as the module has not yet been correctly configured to accept an input signal.

2) Connecting the EasyLog module to a computer : Communications

a) Hardware Link

Connect the EL-WIN communications cable, supplied with your EL-WIN control software, between your computer’s 9-way COM port (RS 232 serial port at the rear of your computer) and your EasyLog module. If your only free COM port is a 25-way one, then you will require a 9-way to 25-way converter, available from most major electronics distributors. If COM 1 and COM 2 are occupied on your computer (e.g. by a mouse and an external modem), then it may be necessary to fit an I/O card (typically featuring COM3 and COM 4 and a parallel port) to the computer. In this case, connect your EasyLog module to COM 3.

If you are in doubt about the types of port present at the rear of your computer, then consult your computer’s user manual.

b) Software Link : COM port, Baud rate, Address

COM port

Once you have connected your EasyLog module to your computer via the communications cable, you will be prompted by EL-WIN to select the COM port you are using. COM 1 is the default setting in the EL-WIN software. The computer will now scan the selected COM port for attached EasyLog modules. Any modules found on that port will be listed in the *EasyLogs connected* box. For additional information on a module, click on its entry in the *EasyLogs connected* box and click on *Further info*.

If a search fails, you will receive the General Communications Failure message. If you get this message, then check your EasyLog system and click on *Search* to try again.



Figure 2: The General Communications Failure message

Baud rate

The Baud rate specifies the speed at which communication occurs between the computer running EL-WIN and the attached EasyLog module(s).

In an EasyLog system, individual Baud rate settings are specified for the computer running EL-WIN and for the EasyLog module. The factory default setting is 9600 Baud for both the EL-WIN software and the EasyLog module. In an EasyLog system, Baud rate settings are governed by three simple rules :

- All EasyLog modules, linked together in a system, must feature the same Baud rate setting.
- The Baud rate setting for the computer must always be identical to the Baud rate setting of the attached EasyLog module(s).
- Always change the Baud rate of the module (Click on *Setup, Comms*) before changing the Baud rate of the EL-WIN software in *Connection*. Changing the module's Baud rate will automatically change EL-WIN's Baud rate.

In most applications, a setting of 9600 Baud works reliably. However, in applications where long communication cables are used, or where there is a lot of electromagnetic interference, communication errors may occur. The occurrence of these errors can be reduced as follows :

- Remove or attenuate the source of electromagnetic interference.
- Make cable runs as short as possible.
- Use high quality, low capacitance, shielded cable.
- Lower the Baud rate settings of the EasyLog module and of the EL-WIN software.

Show warnings

Some EasyLog modules will memorise certain error conditions, encountered during the logging process. These can later be displayed on the graph, by selecting *Options, Show warnings*.

- The first occurrence of a low battery voltage condition is indicated as a vertical line on the graph and the letters *LB*. The value of any readings towards the right of this line may be incorrect.
- The first occurrence of an interruption of the module's power supply is indicated as a vertical line on the graph and the letters *PF*. The time and date of any readings towards the right of this line may be incorrect.

Zooming in & out

When a graph contains many readings, it becomes cluttered. In order to view the detail in a graph, it is possible to zoom in. The factor by which you can zoom in will depend on the amount of readings on the graph. Horizontal and vertical zooming are possible.

To increase the zoom factor on the x-axis, click on *Options, Zoom in* and select a zoom factor from the list or type in your own value between 100 and 750. An horizontal scroll bar allows you to view different parts of the expanded graph.

To increase the zoom factor on the y-axis, drag the top y-axis label down with the left mouse button held down. Alternatively, drag the bottom y-axis graph label up with the right mouse button held down.

To view all the readings in a single window again, zoom out again by clicking on *Options, Zoom out*. Alternatively, right-double-click on the graph.

Graph axes

To add more meaning to a graph's axes, they can be customised as follows.

Labels

- Graph title* : A name, up to 30 characters long, to appear above the graph.
- X-axis label* : A name, up to 30 characters long, to appear below the X axis. (only available in Histogram mode)
- Y-axis label - A* : A name, up to 30 characters long, to appear above the Y axis for channel A. (defaults to range and annunciators)
- Y-axis label - B* : A name, up to 30 characters long, to appear above the Y axis for channel B. (defaults to range and annunciators)

2) Customising graphs

Graphs can be customised to add detail and meaning to the plotted data. To ensure the integrity of EasyLog datafiles, the files cannot be re-saved with customised graph settings.

a) Fonts

When incorporating EasyLog graphs into reports, it is sometimes desirable to copy the style of that report. In EL-WIN, it is possible to customise the font, font style and font size on your EasyLog graphs. Click on *Options, Fonts* and make your selections for *Graph Title, Axis Titles/Legend* and *Axis Labels*.

b) Adding detail to the graph

Append info

Clicking on *Options, Append info* displays information about the downloaded data from an EasyLog module in the bottom left hand corner of the screen.

Sensor : The sensor type or input type used.
Readings : The amount of readings that were accumulated and which are represented on this graph.
Every : The sample rate.

Mark points

A graph consists of individual plot points that represent actual readings, connected by mathematically calculated straight lines. It is important to remember that these straight lines do not represent actual readings. In order to distinguish between actual readings and mathematically calculated ones, click on *Options, Mark points*. This adds a set of small circles to the graph, each circle indicating an actual reading. To toggle *Mark points* on and off, click on *Options, Mark points*.

When a value in *Options: Show the mean of* has been enabled, the small circles indicate the calculated means, and again it is important to remember that these do not represent actual readings.

Alarm levels

Alarm levels are indicated on a graph by a thick line for each alarm level of each channel. To toggle the display of the alarm levels on and off, click on *Options, Alarm levels*.

Address

Each EasyLog module should be given its own unique address in the range 0 to 7. Using unique addresses ensures that, when multiple modules are daisy-chained, no two modules will respond simultaneously to an EL-WIN command and cause a communication error to occur. To change a module's address, click on *Setup* and *Comms*, and select a new address in the range 0 to 7.

To check the availability of free addresses, click on *Search* (ensure *Address Limit* in *Options* is set to 7). Any modules found will be listed together with their address in the 'EasyLogs Connected' box.

c) Options: Smart search, Search limit

Smart search

If, at the moment of pressing *Search*, the EasyLog module being addressed is taking a reading, then it is possible that the search will fail. You will receive a communication failure message. This is because, in general, the action of taking a reading and logging it is more important than allowing you to interrupt what is potentially an important logging exercise. To reduce the occurrence of search failures, select *Smartsearch* in *Options* in the menu. This has the result of scanning twice in succession for each module address, thus increasing the chance that a given module is free to respond.

When searching for multiple EasyLog modules, it is possible that some of the modules will not respond if they are currently logging. In this case, you will NOT receive a General Communications Failure message (See Figure 4) if at least one module was found. Selecting Smart search reduces the risk of one or more modules not responding.

Address Limit

The EL-WIN software normally scans a COM port with a view to locating modules with addresses between 0 and 7. If you are confident that all module addresses are at the lower end of the scale (e.g.: addresses 0, 1, 2, 3) then you can substantially increase the search speed by selecting *Address limit* in *Options* and typing the highest module address that you expect to find.

Note : - *Address Limit* does NOT allow you to specify the amount of modules to search for.
- Setting the *Address Limit* too low with high-address EasyLog modules attached will result in no modules being found and a communications failure message to appear.

3) Configuring the EasyLog module

Before using an EasyLog module in your application, the module must be configured in software and in hardware (via solderable or jumper links) to accept the correct sensor type(s) or input signal(s). In addition, the module must be given a name, a sample rate and a storage mode.

a) Module name

During manufacture, each EasyLog module is programmed with its own unique serial number. This serial number cannot be changed by the user, but is ideal for tracking modules.

To associate an EasyLog module with an application, it is possible for the user to assign a name to the module. This name can be up to 14 characters long, and may consist of most characters, using upper and lower case, e.g.: 'Water Pressure', 'Room Humidity', 'Pump-1', etc. The chosen name is entered in the *Logger name* box in *Setup*. Note however that a space, plus sign, equals sign, [and] will be truncated when the module name is later used as the default file name when the data is saved after logging. Unlike the serial number, the *Logger name* is not fixed and can be changed when required, as long as the module is not logging and has been *Reset* or *Cleared*.

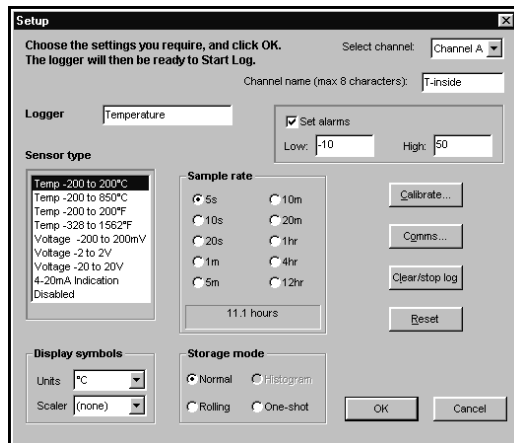


Figure 3: The Setup screen (dual channel module connected)

b) Select Channel

Multi-channel data loggers are set up and calibrated one channel at a time. The required channel is chosen via the channel selector in the top right hand corner of the Setup screen. The channel selector and channel name are not displayed when a single channel data logger is being configured.

Clicking near a point on the graph will result in the nearest plot point being temporarily highlighted with a dot. That point's value, together with the time and date at which it was logged, are displayed at the bottom of the graph.

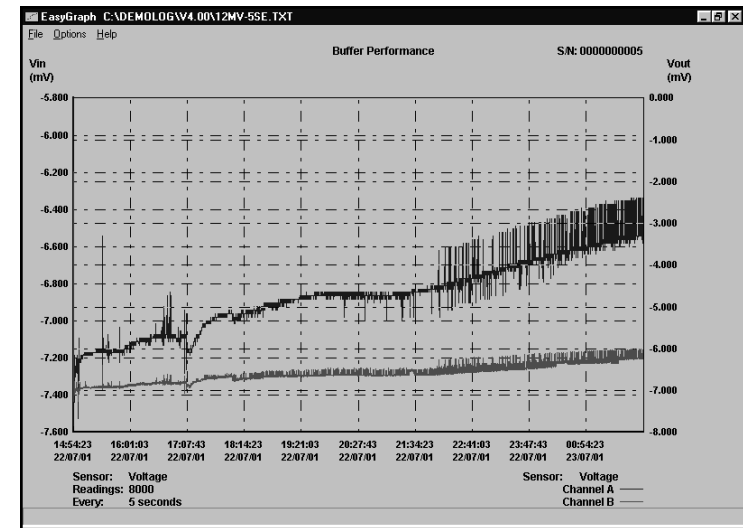


Figure 6: Graphing Data (data file from a dual channel module)

b) Overlaying multiple graphs

Up to four single channel graphs can be graphed together as an overlay of plots. For this to be possible, the three following conditions must be adhered to.

- Logging must have started at the same time for each EasyLog module.
- Each EasyLog module must have been set up with the same sample rate.
- Each EasyLog module must have been set up for the same logging mode.

To overlay a graph over an existing one, click on *File, Plot over* and select the second, third or fourth datafile for which you want to plot the graph. Dual channel files can only be plotted on their own.

To distinguish between multiple plots, click on *Options, Colours* and assign a different colour to each overlaid plot. The bottom right hand corner of the screen shows an index of the colours used. It is important that colours are chosen in such a way that they not only look correct on screen, but are also distinguishable as a grey scale on a laser or inkjet printer.

VI) Graphing

After the data has been downloaded from an EasyLog module to a computer, it can be analysed. This can be done by using EL-WIN's built-in graphing module, or by exporting the data to another software application (e.g.: Spreadsheet, Wordprocessor, Database, Statistical Process Control package, etc.).

1) Graphing with EL-WIN

EL-WIN has been designed in such a way that most datalogging exercises can be performed from beginning (Start logging) to end (Graphing of downloaded data), without the need for third party software.

Data accumulated in *Normal mode*, *Rolling mode* and *Histogram mode* can be graphed using EL-WIN's graphing module. Data accumulated using *One-shot mode* cannot be graphed in EL-WIN, this data must be processed using a spreadsheet (See Chapter VII Part 2). It is theoretically possible for data, accumulated in *Normal mode*, *Rolling mode* and *One-shot mode*, to be converted into a histogram. You will require a spreadsheet to do this. Data accumulated in *Histogram mode* does not contain any time or date information, it can therefore not be converted (either in EL-WIN or in another software application) into a 'Normal mode' or 'Rolling mode' graph.

a) Viewing graphs

To view an EasyLog datafile, click on the *Graph data* button and select the datafile that you wish to graph. If you gave the datafile an appropriate name during the download procedure, then your file should be easy to identify. Once you have clicked on OK, your datafile will be graphed. Click the maximise button in the top right hand corner to view the graph full-screen. You will notice instantly that the following information is automatically included on your graph:

i) for data recorded in Normal mode and Rolling mode

- The EasyLog module's serial number is displayed in the top right hand corner.
- The graph title, up to 30 characters long, can be displayed above the graph.
- Alarm levels can be displayed as horizontal lines in the colour of the plot.
- The Y-axis is automatically scaled to display the two largest recorded values.
- The X-axis displays time and date for the whole graph.
- Any fault conditions can be displayed as red vertical lines.

ii) for data recorded in Histogram mode

- The EasyLog module's serial number is displayed in the top right hand corner.
- The graph title, up to 30 characters long, can be displayed above the graph.
- The Y-axis is automatically scaled to display Count Total.
- The X-axis displays the measured parameter, divided into sample groups.
- Alarm levels and fault conditions are not displayed.

c) Sensor type

The *Sensor type* box allows you to configure the EasyLog module to accept a voltage signal (Voltage, Current, Frequency, Rate count) or the output from a sensor (Temperature, Humidity, pH, etc.). When your choice of *Sensor type* is downloaded from computer to EasyLog module, the module will configure its input circuitry accordingly. Selecting the wrong *Sensor type* may result in one of the following.

- The EasyLog module does not display and record expected readings.
- The EasyLog module is constantly showing overrange ('1 ' on display).
- The inputs to the EasyLog module may be permanently damaged.

Select the correct Sensor type in EL-WIN for each channel and configure any solder or jumper links on the module before applying a signal or connecting a sensor to the EasyLog module. Choosing a particular *Sensor type* will cause the EL-WIN software to select an appropriate *Unit* in *Display symbols*.

d) Display symbols : Units, Scaler

The *Display symbols* box is divided into two sections : *Units* and *Scaler*. Before choosing your combination of *Unit* and *Scaler*, you must check that the required symbols are indeed available on the type of EasyLog module being used. The choice of display symbol is automatically updated when you choose a particular *Sensor type*. You can override this automatic choice by selecting a unit from the list.

e) Sample rate

The sample rate is the time interval between two successive logging procedures of an EasyLog module, where a logging procedure consists of the following steps:

- Measuring the module's input.
- Displaying the corresponding value.
- Storing that value in the module's non-volatile memory.
- Activating alarm levels if these have been set.

The *Sample rate* can be selected from a set of ten pre-defined values. Below the set of sample rates, the duration of a complete logging exercise is displayed. The duration of a logging exercise depends on the *Storage mode* selected, as follows.

- | | |
|--------------------|---|
| - <i>Normal</i> | Duration of logging exercise until module memory is full. |
| - <i>Rolling</i> | As Normal mode. Module will then overwrite oldest data. |
| - <i>Histogram</i> | Duration of logging exercise cannot be predicted. |
| - <i>One-shot</i> | Duration of logging exercise cannot be predicted. |

f) Storage modes : Normal, Rolling, Histogram, One-shot

Data can be stored inside an EasyLog module's non-volatile memory in one of four different ways, depending on the *Storage mode* selected.

Normal mode

This is the conventional method for recording data over a period of time. In *Normal mode*, readings are taken at a regular time interval, as selected in *Sample rate*. These readings are related to time and date and are stored in the EasyLog module's non-volatile memory as a sequence of values. Logging stops and the module shuts down once its memory is full of readings. The module will then display either "''" or 'FULL' on its LCD. Data accumulated in *Normal mode* can be graphed in EL-WIN.

Rolling mode

Rolling mode is similar to *Normal mode*, in that data is recorded over a period of time. The readings are taken at a regular time interval, as selected in *Sample rate*. These readings are related to time and date and are stored in the EasyLog module's non-volatile memory as a sequence of values.

The main difference is that in *Rolling mode*, logging does not stop once the memory is full. Instead, the oldest recorded data is overwritten with new readings. The EasyLog module continues to log data until the user tells it to stop in EL-WIN, or until the voltage of the module's on-board battery has reached a very low level. Data accumulated in *Rolling mode* can be graphed in EL-WIN.

Histogram mode

In *Histogram mode*, as in *Normal mode* and *Rolling mode*, readings are taken at a regular time interval, as selected in *Sample rate*. In *Histogram mode*, the values of individual readings are not related to time and date. Instead, the number of occurrences of each reading is recorded. This means that, when compared to *Normal mode* or *Rolling mode*, many more readings can be stored over a much longer period of time. Potentially, many millions of readings can be stored before the module is full. Data accumulated in *Histogram mode* can be graphed in EL-WIN. 12-bit loggers cannot log in histogram mode.

One-shot mode

Whereas in *Normal mode*, *Rolling mode* and *Histogram mode*, readings are taken at a regular time interval, in *One-shot mode*, a reading is only taken and stored in the EasyLog module's non-volatile memory when the one-shot button is pressed. Each reading is stored together with the time and date at which the button was pressed. This means that, in *One-shot mode*, far fewer readings can be stored than in *Normal mode* or *Rolling mode*. Logging stops once the module's memory is full of readings. The module will then display either "''" or 'FULL' on its LCD. Because, in *One-shot mode*, readings are not taken at regular time intervals, they cannot be graphed in EL-WIN. Instead, export this data to a spreadsheet (see Graphing) for further processing.

5) Time and date

Because the computer's internal time and date are downloaded to the module when *Start log* is selected, it is important for you to check that your computer's system time and system date are correct before you start a logging exercise. The current system time and system date are automatically shown in the *Start Options* box.

IV) Stop logging

Once sufficient data has been accumulated, the EasyLog module as a whole can be told to stop logging. To stop a datalogging exercise, click the *Stop log* button. Before EL-WIN tells the EasyLog module to stop logging, you will be asked for confirmation that you do indeed want to stop logging. This important safety measure has been included because, once a logging exercise has been terminated, it cannot be restarted.

V) Downloading data from EasyLog module to computer

Once a datalogging exercise has been terminated, the stored data can be downloaded to computer for analysis.

To download data from an EasyLog module to your computer, click on *Save Data*. A window opens, allowing you to specify a directory and filename (in 8.3 character file format) for the downloaded data. The selection of an appropriate filename will ensure that the desired file can be easily identified at a later date.

Immediate start

By far the easiest method to start logging is achieved by clicking on *Start log* and then on *OK*. The EasyLog module will then start logging immediately. When an EasyLog module has been configured to log in Histogram mode, the action of clicking on *Start log* and then on *OK* will not cause the module to start immediately. Instead, there is a 20 second delay, during which the module is being set up for Histogram mode.

Push to start

Some applications require that an EasyLog module is primed and ready to start at the push of a button, without the need for a computer. This may be the case, for example, if you want to configure the EasyLog module in the office or laboratory, but only want to start logging when you are at the location where you want to accumulate data, maybe a shop floor or a storage area. To select Push to start mode, click on *Start log*, tick the *Push to start* box in the *Start Options* window and click on *OK*.

Once the EasyLog module has started logging, the push button takes on its secondary function. It effectively becomes a *Push to read* button. When in *Push to read* mode, every push of the button updates the reading on the display, but does not log that reading, nor does it indicate the exceeding of an alarm level. *Push to read* is especially useful with long sample rates, where you may want to update the display without affecting the logging cycle.

Show active

When an EasyLog module is configured with a long *Sample rate*, the time interval between consecutive display updates will be relatively long. To indicate visually that the module is fully operational, click on *Start log* and tick the *Show active* box prior to *Starting* the module.

Note: The setting of Show active may introduce inaccuracies in the EasyLog module's sample rate. While the majority of applications are mostly unaffected by these inaccuracies, time-critical applications should have *Show active* switched off.

Delayed start

Delayed start is ideal for those applications that require an EasyLog module to be primed and ready to start at a pre-defined time and date in the future, without the need for a computer. As there is no 'group start' command in EL-WIN, Delayed start will ensure that multiple EasyLog modules start logging at the same time.

To select Delayed start mode, click on *Start log* and tick the *Delayed start* box. This will cause the *Time* and *Date* boxes to show the current time and date, as defined by your computer's clock. If the time and/or date are incorrect, then you must correct these in your computer's set-up before proceeding.

g) Set alarms

EasyLog modules can be programmed to give a visual indication when the reading exceeds one of two pre-programmed alarm levels.

In addition, the status of these alarm levels has been made available on EasyLog modules via 2 output pins per channel, one pin for each alarm level. These pins can be connected to external electronic circuitry to turn the EasyLog module into a comprehensive measurement, logging and control system. For further information on the pin-out, consult the EasyLog module's datasheet.

Alarm levels are by default switched off, but can be set by ticking the *Set alarms* box. This activates the two alarm level boxes, allowing you to enter a *Low* alarm and a *High* alarm value.

It is not possible to enter two identical alarm levels or to enter only one alarm level. If only one alarm level is required, then enter the other as an end-of-scale value in such a way that it is opposite to the only required alarm level.

Note: The setting of alarm levels may introduce inaccuracies in the EasyLog module's sample rate. While the majority of applications are mostly unaffected by these inaccuracies, time-critical applications should have the alarms switched off.

h) Calibrating the EasyLog module

Once an EasyLog module has been configured, each of its channels needs to be calibrated. The calibration process ensures that any errors, introduced by connecting a sensor to an EasyLog module, are reduced. On multi-channel modules, calibration is performed per channel selected in *Setup*.

Click on *Calibrate* to open the calibration window. This offers you a choice of two calibration methods : *Default* calibration and *User calibration*.

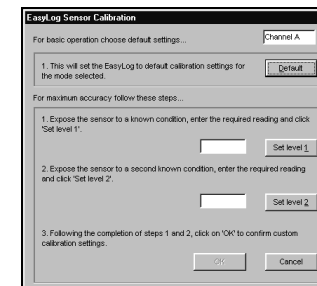


Figure 4: The Calibration screen

Default calibration

Default calibration uses factory calibration settings, and can be used for the ranges, depending on the module used: Temperature, Voltage (0 to 200mV, 0 to 2V and 0 to 20V) and Current (4-20mA and 0 to 2A).

Note : Humidity (%RH) and pH can only be calibrated in *User calibration*.
Rate count and Frequency cannot be calibrated by the user.

User calibration

- i) Select the channel to calibrate (only valid on multi-channel data loggers)
- ii) Apply a known input to the EasyLog module.
 - If you are using a sensor, then subject the sensor (Temperature, Humidity, pH, etc.) to a known condition.
 - If you are measuring Voltage or Current, then apply a known voltage or current.
 - If you are measuring Frequency, then apply a known frequency.
- iii) Enter the value you would like to display on the EasyLog module for the input you have applied.
- iv) Click on *Set level 1*.
- v) Apply a second known input to the EasyLog module.
- vi) Enter the value you would like to display on the EasyLog module for the input you have applied.
- vii) Click on *Set level 2*.
- viii) Click on *OK* to download the calibration settings to the EasyLog module.

Repeat this procedure on other channels if you are using a multi-channel module.

i) Comms: Address, Baud rate

Each attached EasyLog module must be set up with a Baud rate (default is 9600) and its own unique address in the range 0 to 7 (default is 0).

If the Baud rate for EL-WIN does not match that of the module, then the module will fail to respond to a *Search* command and you may receive the General Communications Failure message. Select the correct *Data rate* in *Connection* and search twice in succession. The first search will reset the module's communications section, the second search will be successful.

To alter a module's Baud rate, first establish a connection by clicking *Search*, then select the desired *Baud* setting in *Setup:Comms*. This will automatically update EL-WIN's Baud rate setting. By keeping the Baud rate setting at 9600 for module and EL-WIN, mismatches are avoided.

j) Clear/stop log

Before an EasyLog module can be used for a new datalogging exercise, any old stored readings must be erased. This is done by clicking on *Clear/stop log* in the *Setup* window. Although all old readings are erased, the module's configuration parameters (*Logger name, Sensor type, Display symbols, Sample rate, Storage mode and Alarms*) and calibration parameters remain unchanged. If the EasyLog module is logging when *Clear/stop log* is clicked, then a warning message appears to indicate that the logger will be stopped and any data will be cleared. Clicking on *OK* will then stop the logging process and erase all the stored readings off all channels.

k) Reset

To reset an EasyLog module's configuration parameters (*Module name, Sensor type, Display symbols, Sample rate, Storage mode and Alarms*) as well as the calibration settings to factory defaults and erase any stored readings, click on *Reset* in the *Setup* window. If the EasyLog module is logging when *Reset* is clicked, then a warning message appears to indicate that the EasyLog will be stopped and reset to factory defaults and that any data will be lost. Clicking on *OK* will then stop the logging process and reset the module. All alarm settings will be lost. The module will revert to default calibration.

l) Multi-mimic

To view 'live' readings from all connected EasyLog modules and their channels on your computer screen, click on *Multi-mimic* in the main window. To use this feature, the EasyLog modules must not be logging.

III) Start logging

Once an EasyLog module has been configured and calibrated, it can start logging. Three starting modes apply to the module as a whole: Immediate start, Push to start and Delayed start. In each of these starting modes, an activity symbol can be displayed to show that the module is active. Once configured for one of the starting modes, the EasyLog module(s) may be disconnected from the computer.

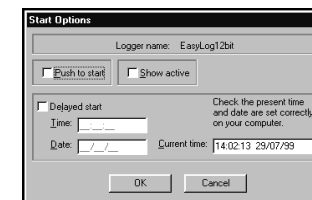


Figure 5: The Start Options screen